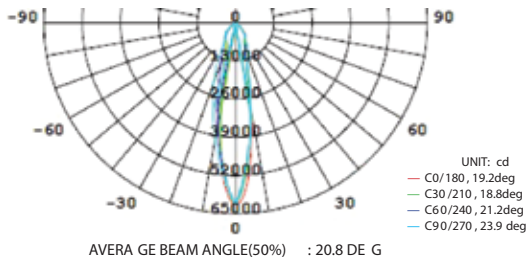
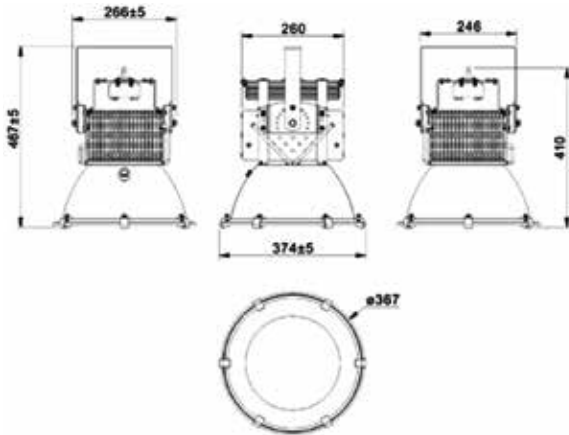


HB Series- 1

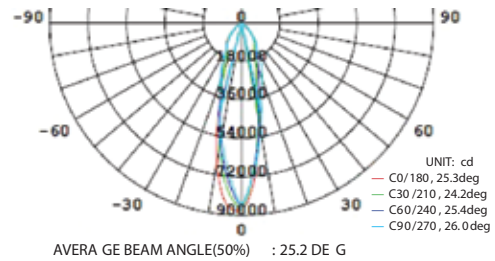


Technical Specification

Size : $\varnothing 375 \times H410$ mm / $\varnothing 375 \times H450$ mm
 Input Current: 0.97A(230 V) / 1.93A(230 V)
 Output current: 6A / 12A
 Luminous flux: 18000 lm / 36000 lm
 Luminous efficacy: $\geq 90\%$
 Peak intensity: 65000 cd / 90000 cd
 working temperature: -40° - 60°



200 W



400 W

Model	Power	Input Voltage	Beam angle	Color Temperature	CRI	PF
HBC- 200-L S410 PAH	200 W	90-305V AC 47-63Hz	30°/45°/ 60°/ 90°	2800-3200 K 4000-4500 K 5500-6000 K	>70 Ra	>0.9
HBC-400-L S410 PAH	400 W					