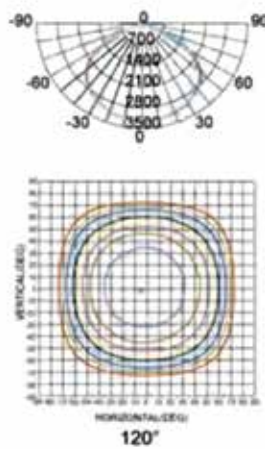
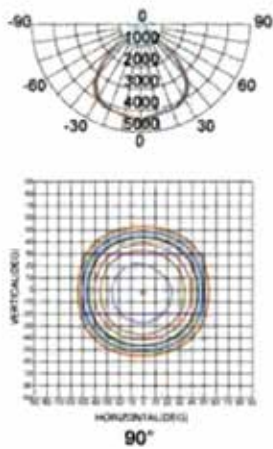
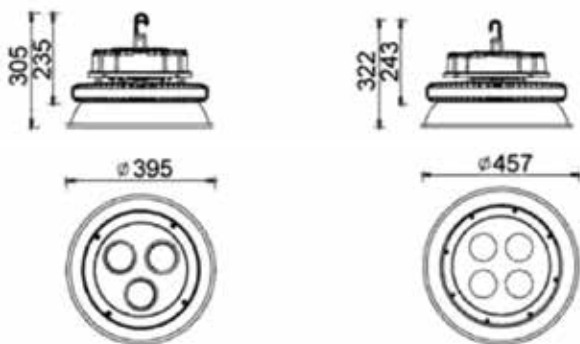




HB Series-4

Technical Specification

- Luminous flux: 6500 Lm / 8000 Lm
8700 Lm / 10200 Lm
- Power Factor: >0.95PF
- Operating Temperature: -20°~+45°C
- Storage Temperature: -20°~+45°C
- Light Source: COB
- Total current harmonics: <20%
- Number of LED: 3 / 5
- LED'S Operating Life : >50000 Hours



Model	Power	Rated Voltage	Beam Angle	Color Temperature	CRI	Light Efficiency
HBC-75- YS535A	75W	AC 100~270 V	90°/ 120°	3000-6000 K	>75RA	85LM/ W
HBC-90- YS535A	90W					
HBC-100- YS536 A	100 W	AC 100~240 V				
HBC-120- YS536 A	120 W					