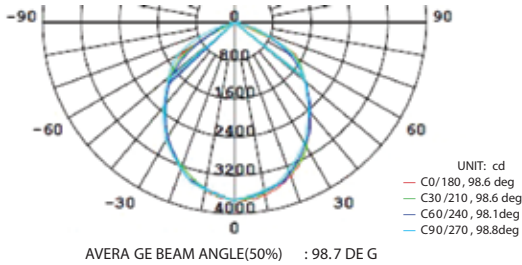
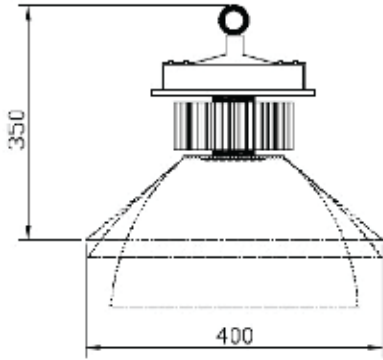


HB Series- 2

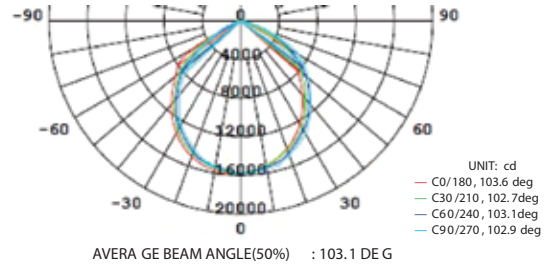


Technical Specification

Size : $\varnothing 400 / \varnothing 400 / \varnothing 310$ mm
 H350 / H350 / H350 mm/
 $\varnothing 500 / \varnothing 500 / \varnothing 420$ mm
 H595 / H 615 / H725mm
 Input Current: 0.39 A(230 V) / 1.93A(230 V)
 Output current: 2.4A / 12A
 Luminous flux: 7200 lm / 33000 lm
 Luminous efficac y: $\geq 90\%$
 Peak intensity: 4000 cd/6000 cd/8000 cd
 16000 cd/24000 cd/42000 cd
 working temperature: -40° - 60°



80 W



400 W

Model	Power	Input Voltage	Beam angle	Color Temperature	CRI	PF
HBC-80-L S500 PA	80 W	90-305V AC 47-63Hz	120°/ 90° / 45°	2800-3200 K 4000-4500 K 5500-6000 K	>70 Ra	>0.9
HBC-400-L S500 PA	400 W					