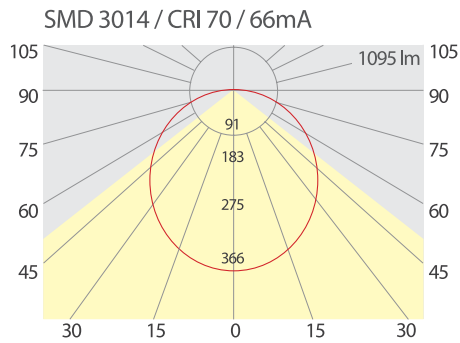
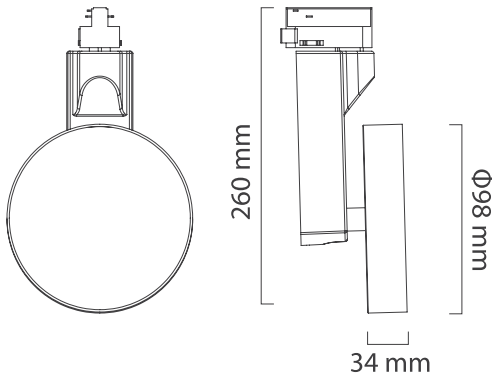




TR Series-4

Technical Specification

Material: Aluminium+PC
 Include SMD3014 x 110 PCS ,
 3 Wire Track Adaptor/Gear Box (LED Driver)
 Size : 260 mm, Head size: $\varnothing 98 \times 34$ mm
 Finish: White
 Luminous efficacy: 75-80 lm/W
 Operating temperature: -20°C~40°C
 Operating humidity: 30~90%
 Life : 30,000 h



Model	LED	Beam Angle	LED Power	For. Current	For. Voltage	CRI	Finish
TLS-15-11 -EVS40-1	SMD 3014	110°	15 W	65 mA	220 V	≥ 70	Matt White
TLS-12- 24-EVS40- 2							