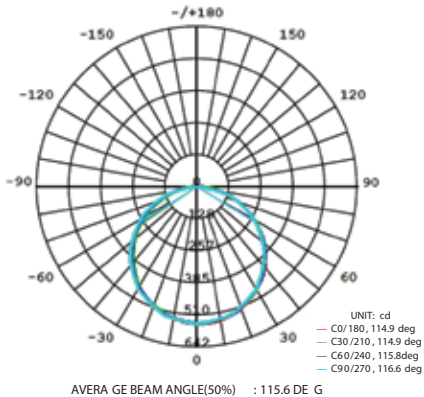
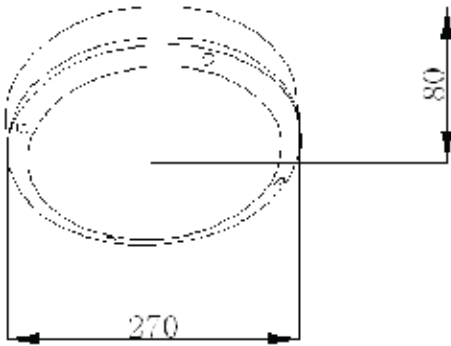




BD Series-3

Technical Specification

Size : \varnothing 270 mm x H 80 mm
 Input current: 0.114A(230 V)
 Output current: 0.67A
 Power factor: >0.9PF
 Efficiency: \geq 85%
 Light Intensity: 514cd
 Luminous flux: 1600 lm
 Net weight: 1.4kg
 Die Cast Aluminium Body
 PC diffuser
 Working Temp: -40°C to 60°C



Model	Power	Input Voltage	Output voltage	Beam Angle	Color Temperature	CRI
BDS- 20-L SPT20 PC	20W	90- 265V 47-63HZ	30V	115°	2800-3200 K/ 4000-4500 K/ 5500-6000 K	\geq 75 RA